

# RTH

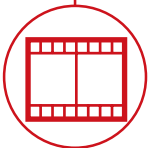
## 10.37



CONSTRUCTION



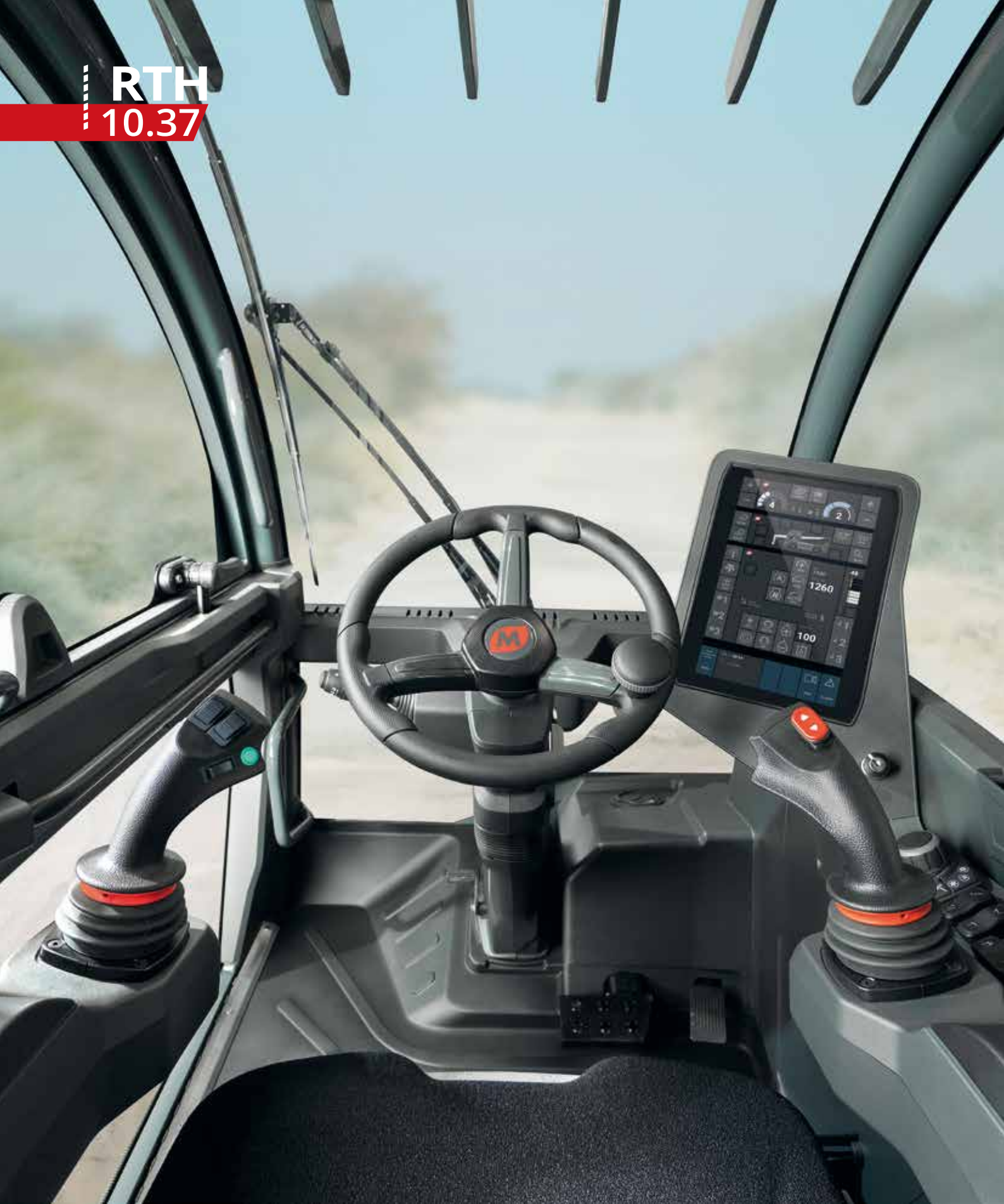
LOGISTICS



EVENTS AND  
FILM



**RTH**  
**10.37**



**CAB**

Best-in-class  
safety and visibility



**PERFORMANCE**

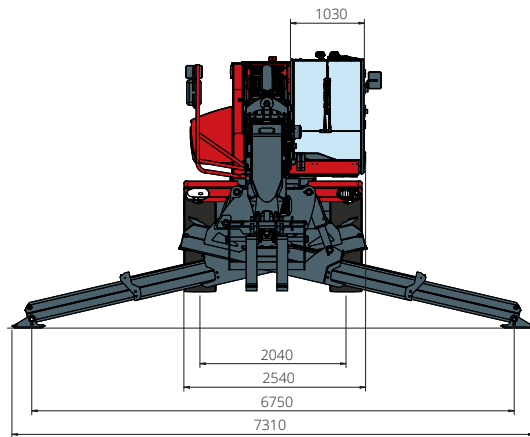
Unrivalled lifting  
performance



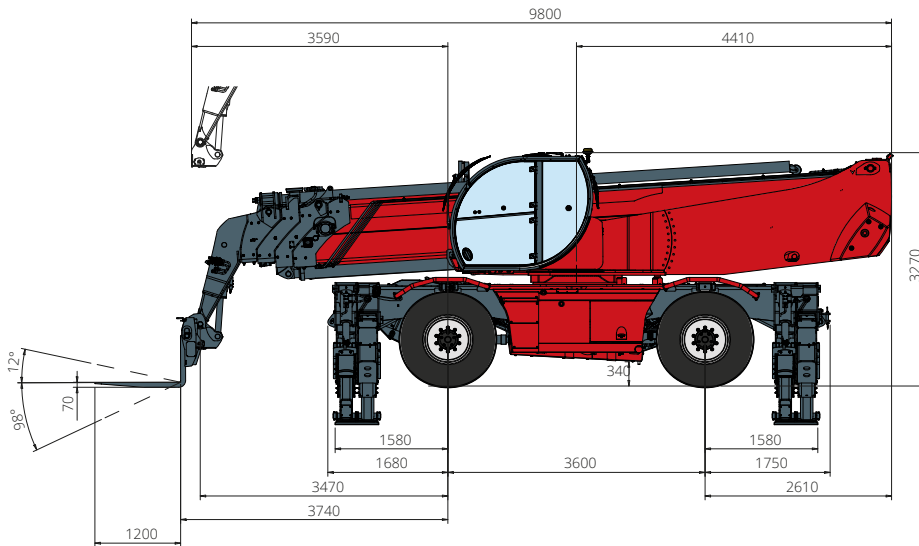
**LOAD LIVE DIAGRAM**

Three real-time dynamic  
load charts

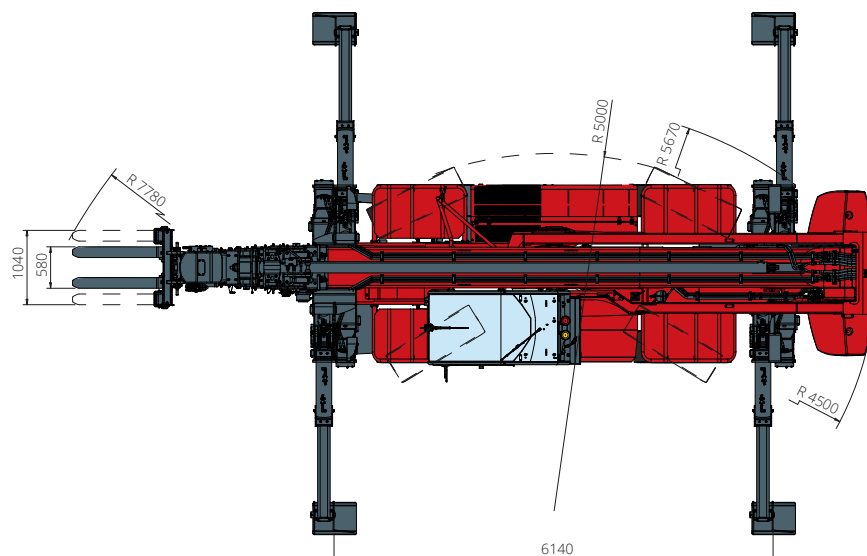
**DIMENSIONS (mm)**



**FRONT**  
view



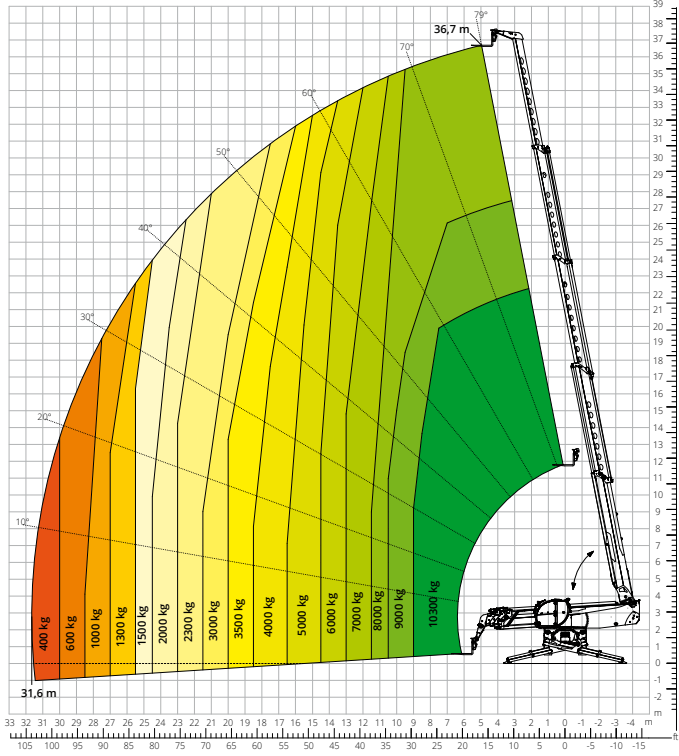
**SIDE**  
view



**TOP**  
view

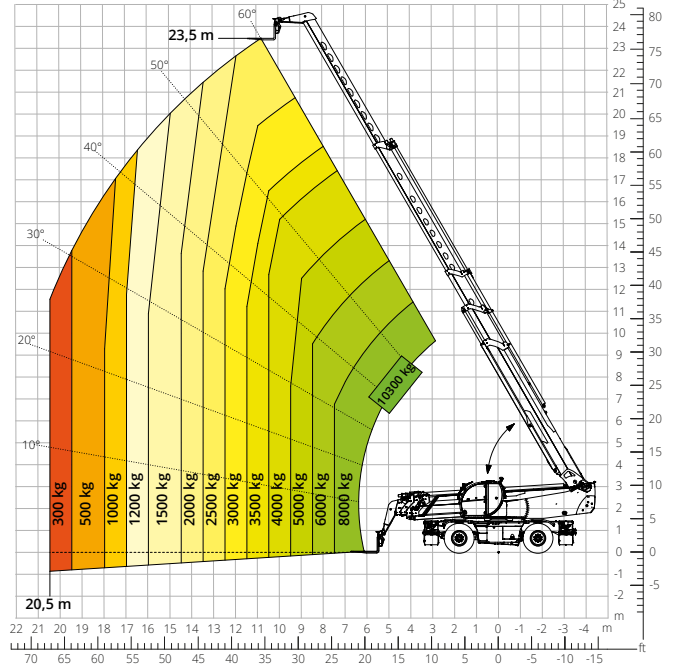
Load chart with  
**FULLY EXTENDED STABILISERS (360°)**

ATT - 03 - 018



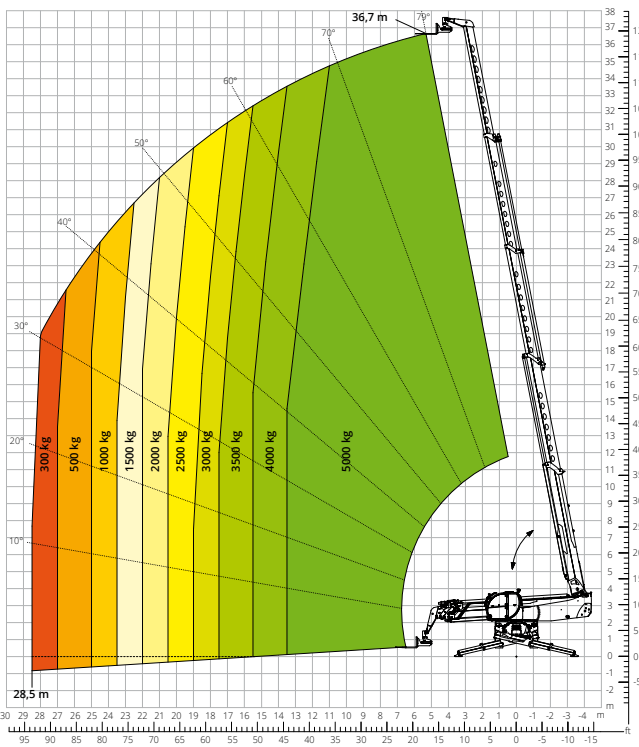
Load chart  
**FRONT ATTACHMENT ON TYRES**

ATT - 03 - 018



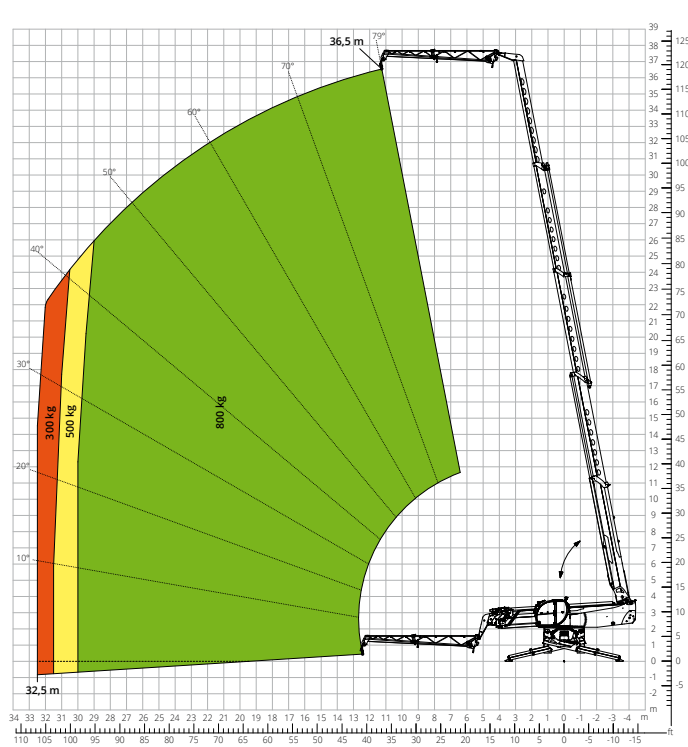
Load chart with  
**ROTATING FORKS, 5,000 kg**

ATT - 03 - 041

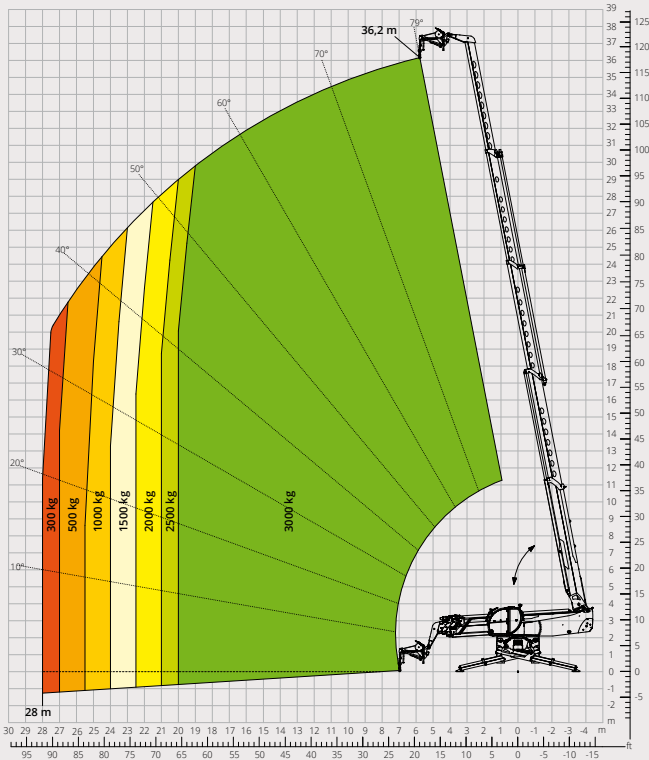


Load chart with  
**JIB WITH WINCH, 800 kg**

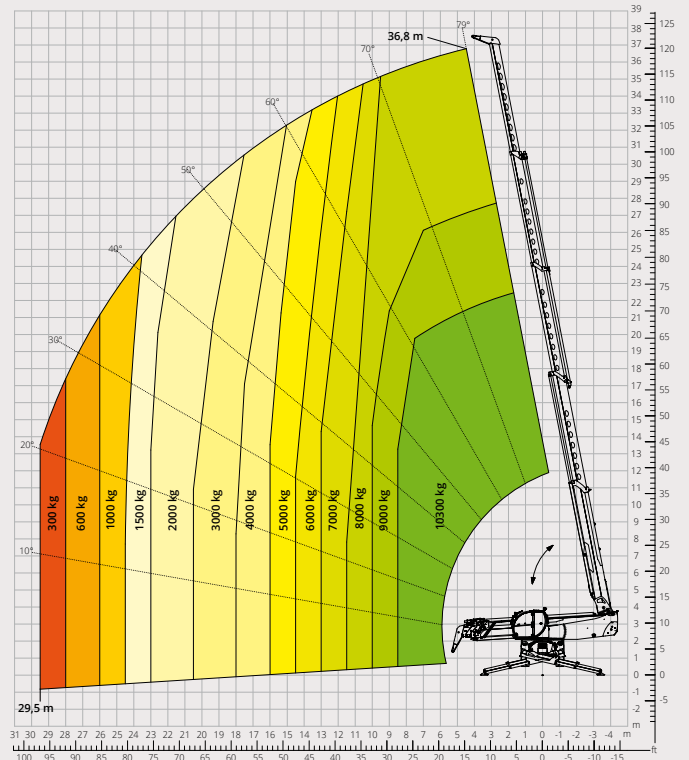
ATT - 04 - 005



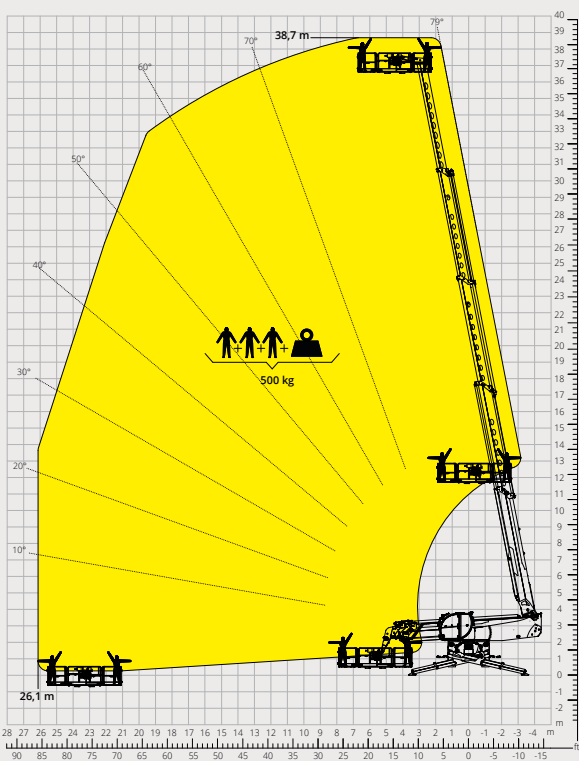
Load chart with  
**JIB WITH WINCH, 3,000 kg**  
 ATT - 04 - 019



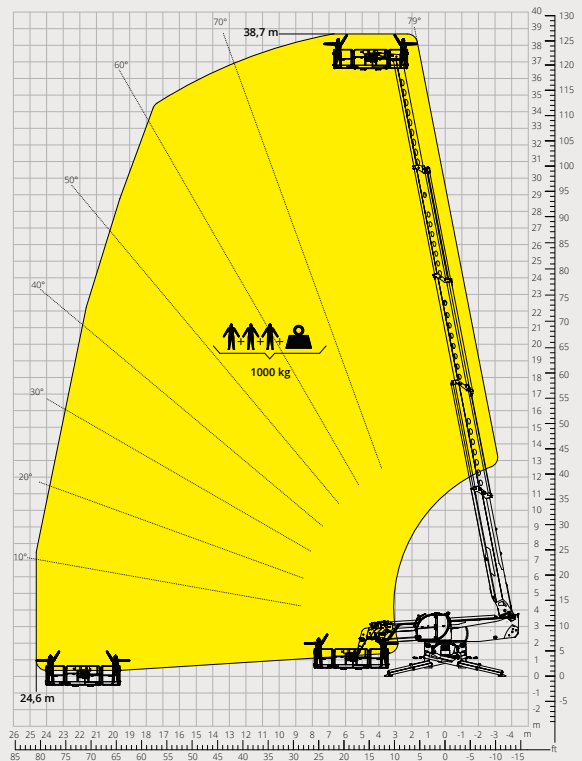
Load chart with  
**HOOK, 10,000 kg**  
 ATT - 05 - 005



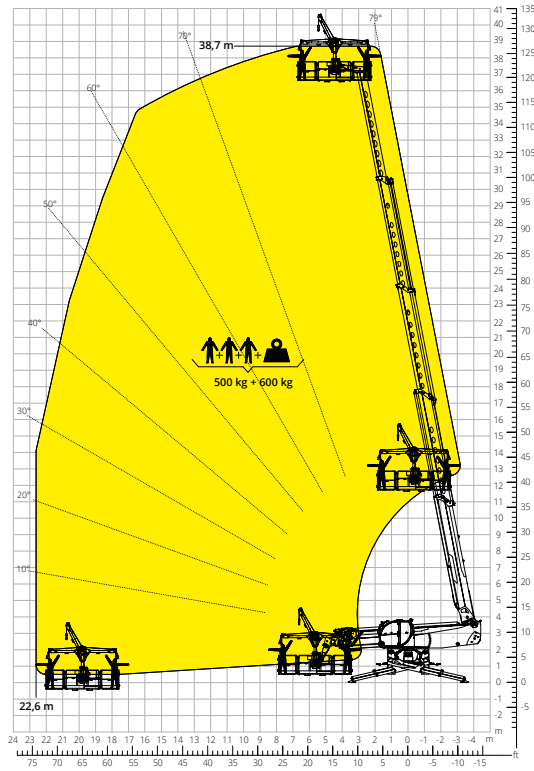
Load chart with  
**ROTATING EXTENDABLE PLATFORM, 500 kg**  
 ATT - 01 - 007



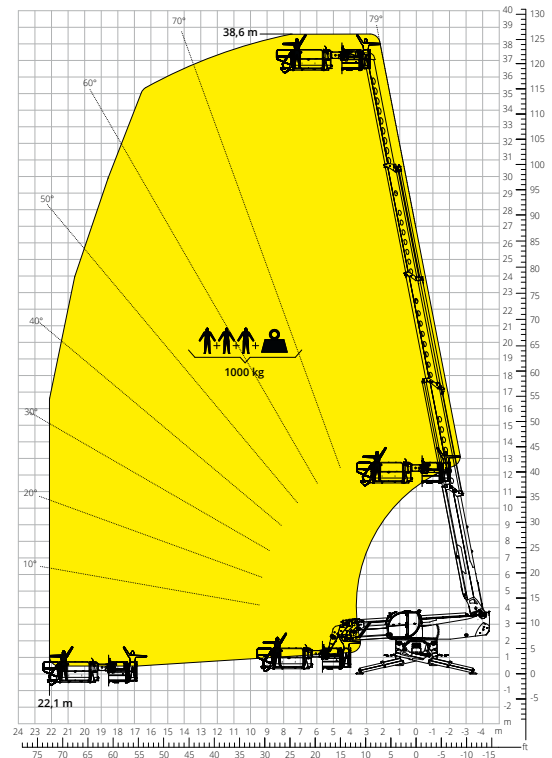
Load chart with  
**ROTATING EXTENDABLE PLATFORM, 1,000 kg**  
 ATT - 01 - 016



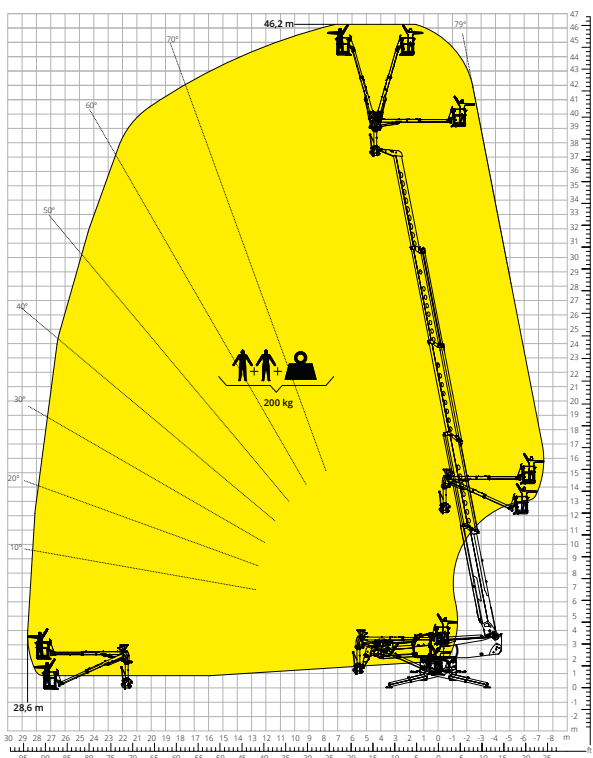
Load chart with  
**PLATFORM, 500 kg, WITH WINCH,**  
**600 kg**  
ATT - 01 - 026



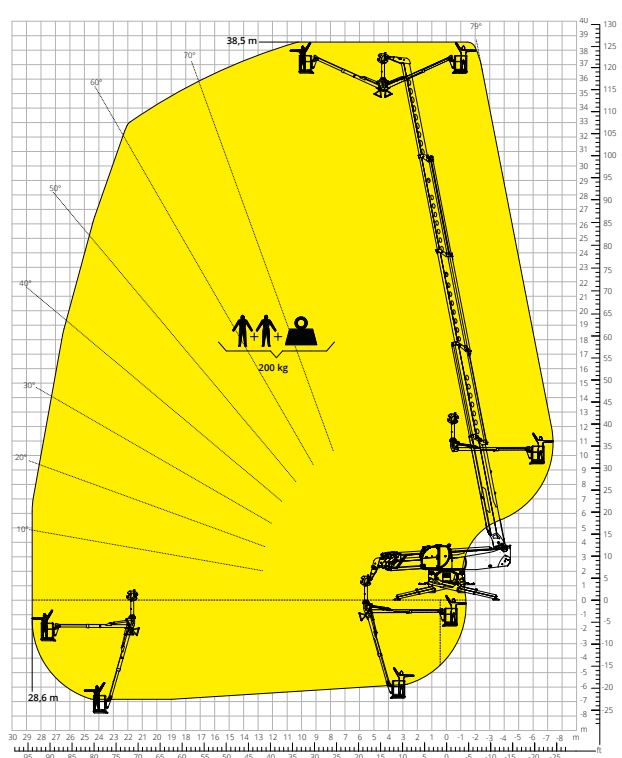
Load chart with  
**EXTENDABLE PLATFORM FOR ROOFS,**  
**1,000 kg**  
ATT - 01 - 020



Load chart with  
**OVER-UNDER PLATFORM - POSITIVE**  
ATT - 01 - 024



Load chart with  
**OVER-UNDER PLATFORM - NEGA**  
ATT - 01 - 024



<b>Machine model</b>	Rotating telescopic handler	RTH 10.37	
	Maximum lifting capacity	10,300 kg	
	Maximum lifting height	36.7 m	
	Maximum reach	31.60 m	
	Rotation	360° (continuous)	
<b>Stabilisers</b>	Type	Telescopic scissor	
<b>Engine</b>	Model	<b>Volvo TAD 552 VE Stage IIIA</b>	<b>Volvo TAD 583 VE Stage V</b>
	Rated power	160 kW (218 hp) at 2,200 rpm	175 kW (238 hp) at 2,300 rpm
	Maximum torque	910 Nm at 1,450 rpm	975 Nm at 1,380 rpm
	Displacement	5.13 l	
	Cylinders	4 in line	
	Engine type	Turbocharged direct injection diesel	
	Cooling system	Water – intercooler	
<b>Transmission</b>	Type	Hydrostatic	
	Maximum pressure	480 bar	
	Gearbox	Dropbox, 2 speeds forward-reverse	
<b>Axles and brakes</b>	Type	Axles with planetary gearboxes	
	Front axle	Oscillating and steering with levelling, +/-8°	
	Rear axle	Oscillating and steering with hydraulic lock	
	No. of driving/steering wheels	4WD - 4WS	
	Steering mode	Frontal/Concentric/Crab	
	Service brake	Wet multi-disk on front and rear axle	
	Parking brake	Hydraulic with negative action on front axle	
<b>Performance</b>	Tyre sizes	17.5 R25	
	Max. travel speed	25 km/h	
	Gradeability (unladen)	39%	
<b>Weights</b>	Turning radius (at forks)	7,780 mm	
	Total unladen*	36,900 kg	
	Front axle unladen (boom retracted and lowered)*	12,700 kg	
	Rear axle unladen (boom retracted and lowered)*	24,200 kg	
<b>Tank and system capacities</b>	Diesel fuel	235 l	235 l
	AdBlue	-	40 l
	Hydraulic fluid	310 l	310 l
	Engine oil	16 l	16 l
	Coolant	40 l	40 l
<b>Hydraulic circuit for movements</b>	Circuit type	Load sensing	
	Service pump	Variable displacement	
	Max. hydraulic flow rate	205 l/min	
	Max. boom head flow rate	100 l/min	
	Max. working pressure	350 bar	
	Distributor for boom and turret movements	SIL 2 electro-proportional valve	
	Movements control	Dual joystick with integrated manoeuvre enable	
<b>Standards met</b>	2006/42/EC: EU Machinery Directive		
	2016/1628: EU Regulation on the emissions of stage V engines		
	EN 1459-X: Relating to standards on the safety requirements for variable reach machines		
	EN 280/EN 280-1/EN 280-2: standards relating to mobile elevating work platforms (if available)		
	ROPS/level 2 FOPS: relating to the standards for protective structures		

*The data given in this brochure are provided for information purposes and are subject to change without prior notice.*

*All images are purely guideline and might not give an exact representation of the product.*

*\*the stated weight refers to the vehicle unladen with standard equipment and may vary depending on the chosen configuration.*

## The standard machine configuration includes:

### CAB

- Premium tilting seat with air suspension and headrest
- Adjustable steering column
- Analogue joypad
- Adjustable sunblind
- Heating
- Air conditioning
- FM/AM radio with USB and Bluetooth connectivity
- Ambient LED lights
- USB Type-A and Type-C (5 V) inputs

### REAL TIME INFORMATION

- Touchscreen, 12"
- MCTS – Magni Combi Touch System on-board software
- Automatic RFID tools recognition system
- LMI – Load Moment Indicator
- LLD – Live Load Diagram
- Onboard and remote integrated diagnostics
- Reversing camera with image integrated in the MCTS

### TECHNICAL SPECIFICATIONS

- Q-Fit standard
- Provision for platform
- Advanced three-line CAN BUS system
- Automatic levelling system for outriggers
- Automatic front and rear wheel alignment
- High-precision turret rotation motor by Liebherr
- Automatic parking brake
- Mechanical battery cut-off in engine compartment
- Electrical system: 24 V – IP67

### SERVICE

- MyMagni by Trackunit connectivity system (2 years)
- Warranty: 24 months/2,000 hours